

\*NOTE: Triboard Square Edge Lining 10mm Installed on Ceilings  
Max. 400mm Frame Centres

Min. 3mm Expansion Gap at Panel Joints



© JNL NZ Ltd.

Phone  
(09) 373 3933  
email  
sales@jnl.co.nz

SHEET TITLE

TRIBOARD™ LINING SQUARE EDGE PANEL 10MM VERTICAL INSTALL

DISCLAIMER:

This information is drawn as reference only and not to be used as a construction detail. Applications are required to be drawn by the specifier. Before using JNL NZ Ltd. systems, ensure that the selected product is suitable for use in the specific application.

SCALE: 1:20

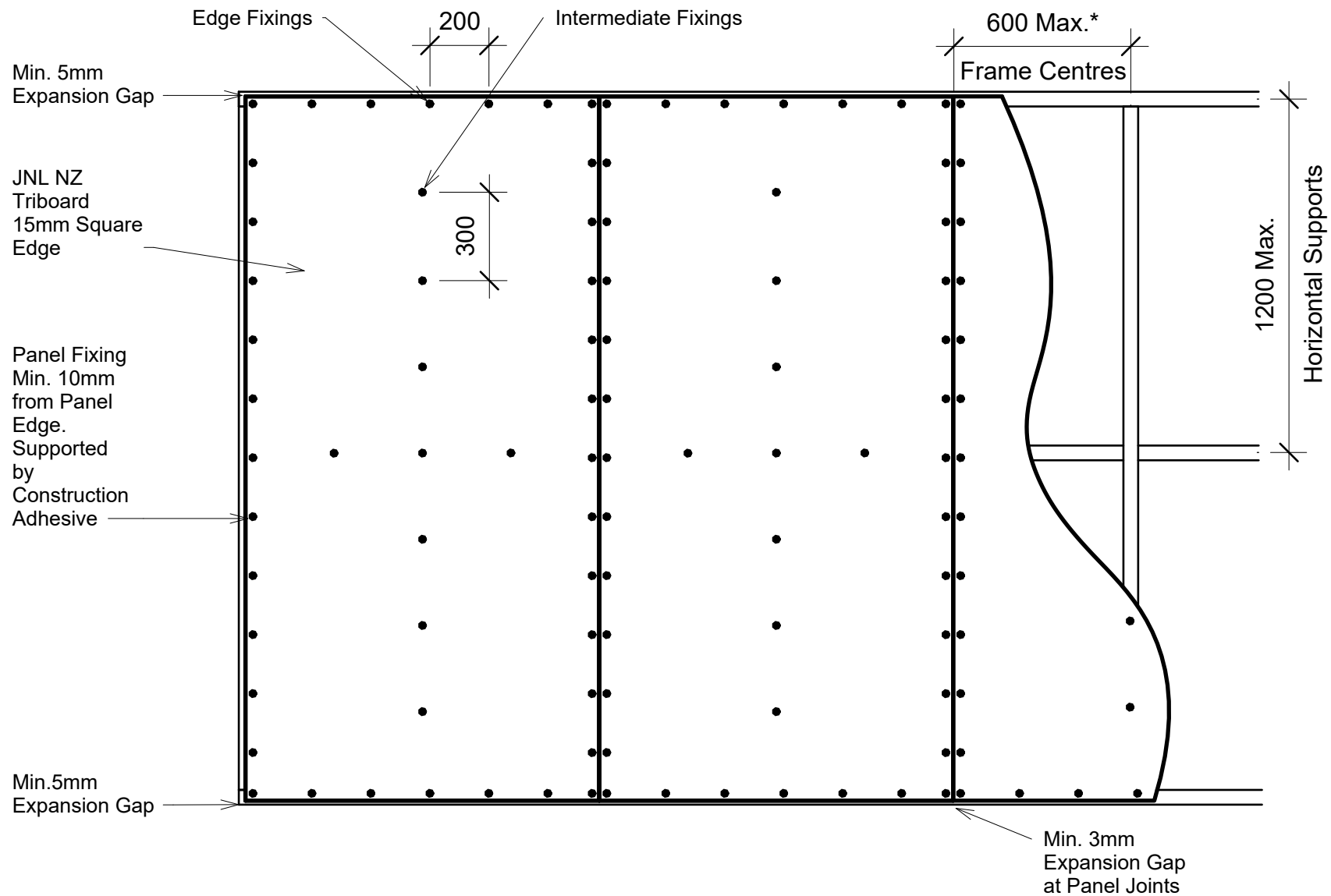
RELEASE DATE:  
01/05/2026

SHEET NUMBER

JNLTL001

REVISION

A



© JNL NZ Ltd.

Phone  
(09) 373 3933  
email  
sales@jnl.co.nz

SHEET TITLE

TRIBOARD™ LINING SQUARE EDGE PANEL 15MM VERTICAL INSTALL

DISCLAIMER:

This information is drawn as reference only and not to be used as a construction detail. Applications are required to be drawn by the specifier. Before using JNL NZ Ltd. systems, ensure that the selected product is suitable for use in the specific application.

SCALE: 1:20

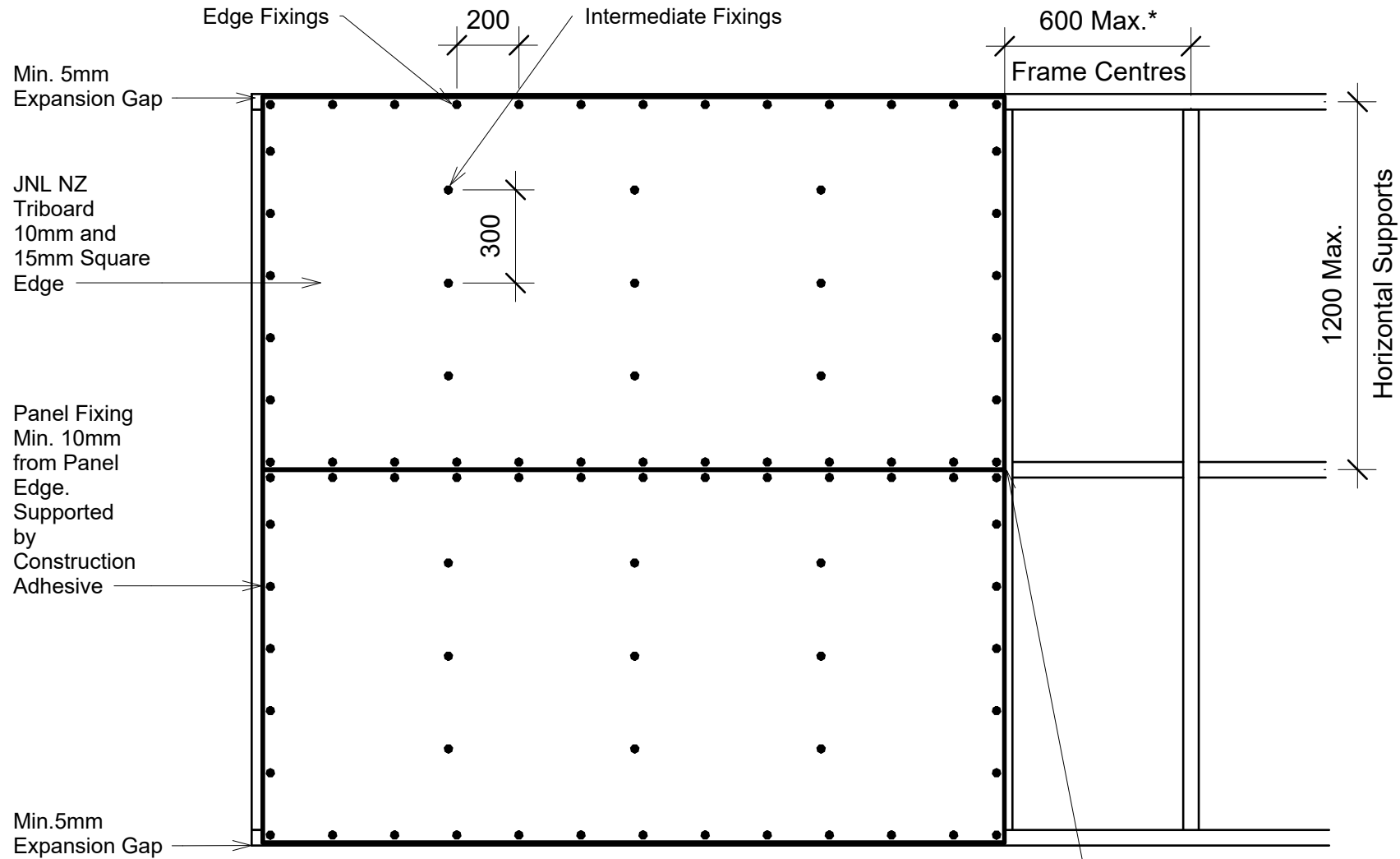
RELEASE DATE:  
01/05/2026

SHEET NUMBER

JNLTL002

REVISION

A



\*NOTE: Triboard Square Edge Lining 10mm Installed on Ceilings  
Max. 400mm Frame Centres

Min. 3mm  
Expansion Gap  
at Panel Joints



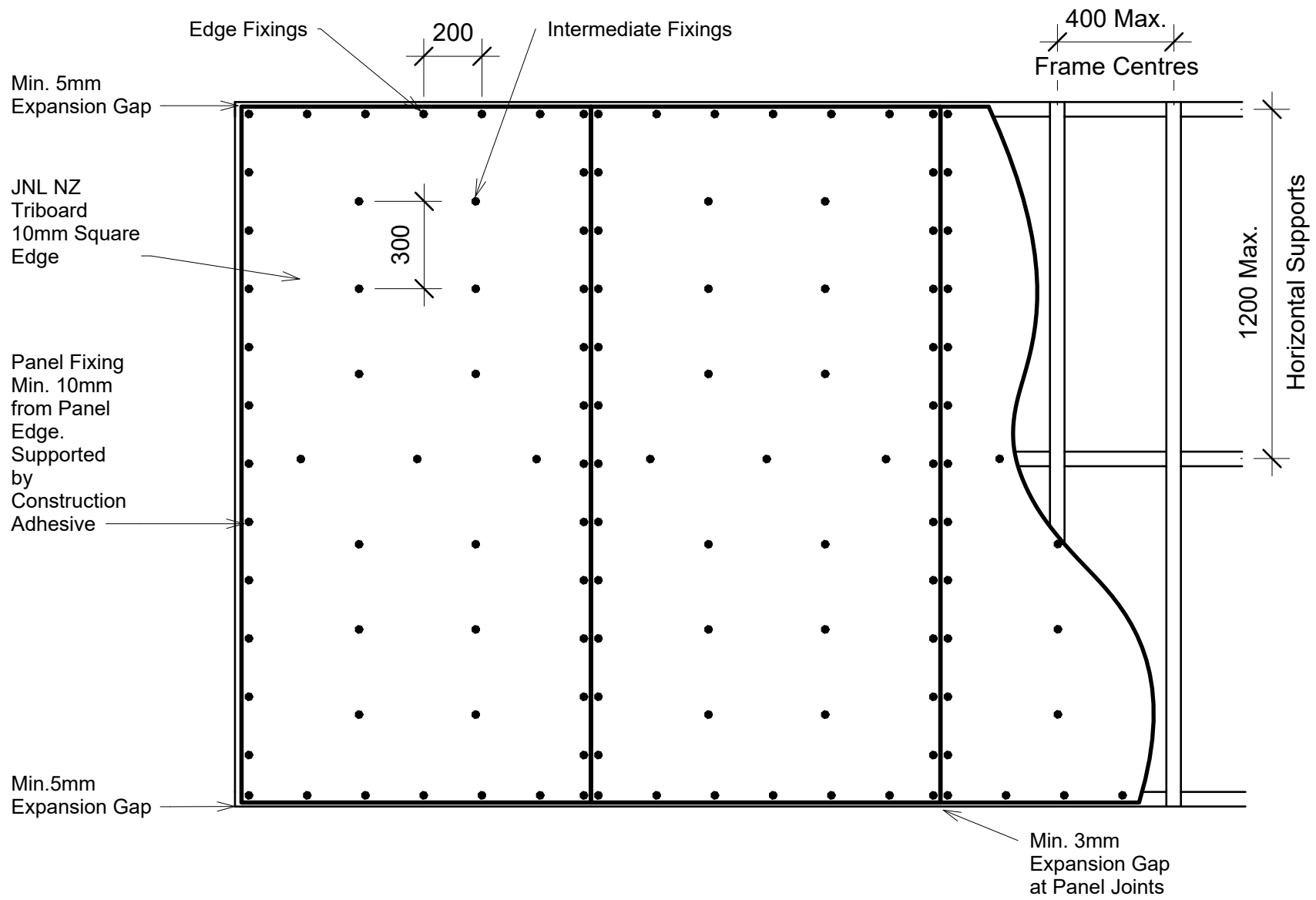
© JNL NZ Ltd.  
Phone  
(09) 373 3933  
email  
sales@jnl.co.nz

SHEET TITLE  
**TRIBOARD™ LINING SQUARE EDGE PANEL 10MM AND 15MM HORIZONTAL INSTALL**

DISCLAIMER:  
This information is drawn as reference only and not to be used as a construction detail. Applications are required to be drawn by the specifier. Before using JNL NZ Ltd. systems, ensure that the selected product is suitable for use in the specific application.

SCALE: 1:20  
RELEASE DATE: 01/05/2026

SHEET NUMBER: JNLTL003  
REVISION: A



© JNL NZ Ltd.

Phone  
(09) 373 3933  
email  
sales@jnl.co.nz

SHEET TITLE

TRIBOARD™ LINING SQUARE EDGE PANEL 10MM CEILING INSTALL

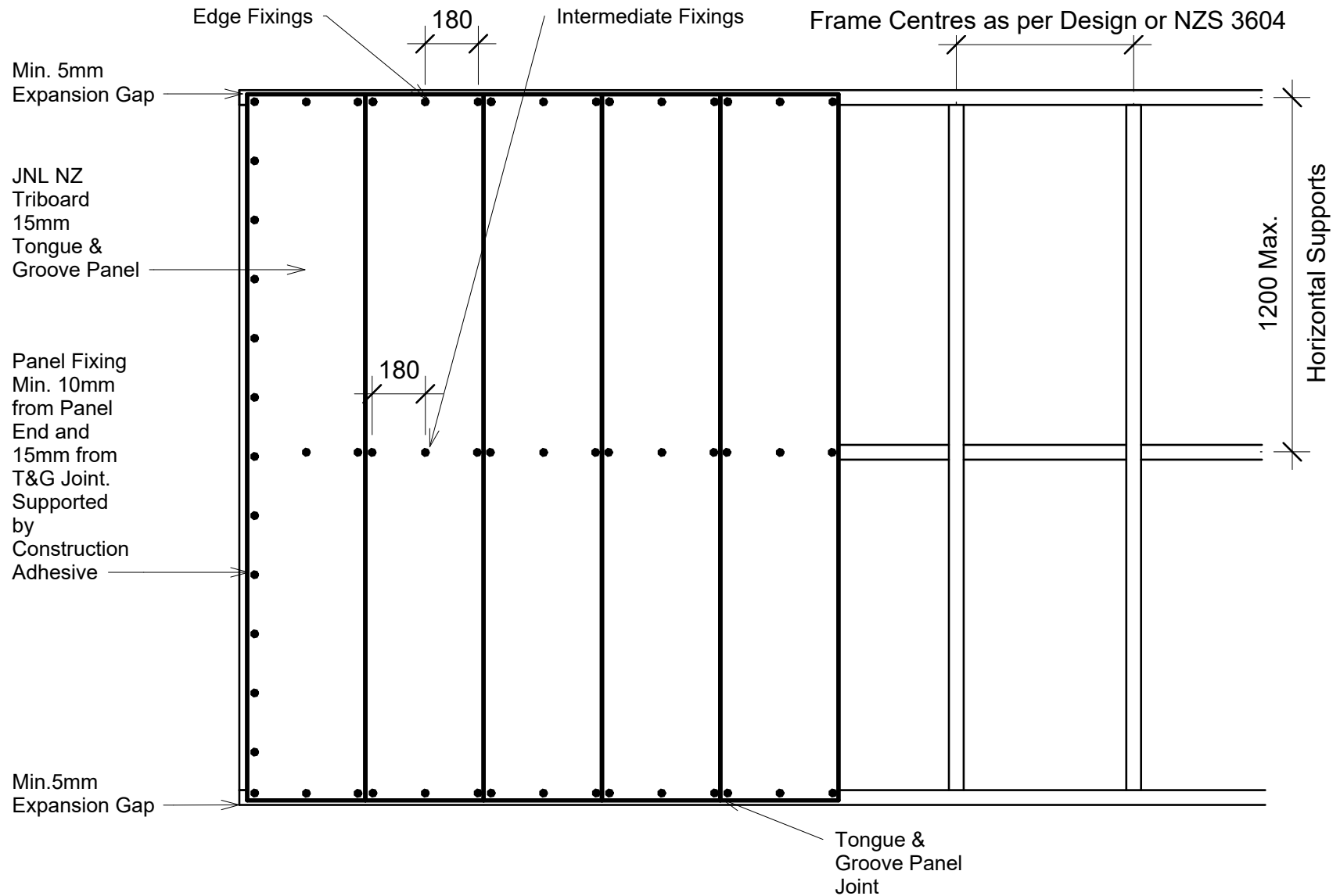
DISCLAIMER:  
This information is drawn as reference only and not to be used as a construction detail. Applications are required to be drawn by the specifier. Before using JNL NZ Ltd. systems, ensure that the selected product is suitable for use in the specific application.

SCALE: 1:20

RELEASE DATE:  
01/05/2026

SHEET NUMBER  
JNLTL004

REVISION  
A



© JNL NZ Ltd.

Phone  
(09) 373 3933  
email  
sales@jnl.co.nz

SHEET TITLE

TRIBOARD™ LINING TONGUE & GROOVE PANEL VERTICAL INSTALL

DISCLAIMER:

This information is drawn as reference only and not to be used as a construction detail. Applications are required to be drawn by the specifier. Before using JNL NZ Ltd. systems, ensure that the selected product is suitable for use in the specific application.

SCALE: 1:20

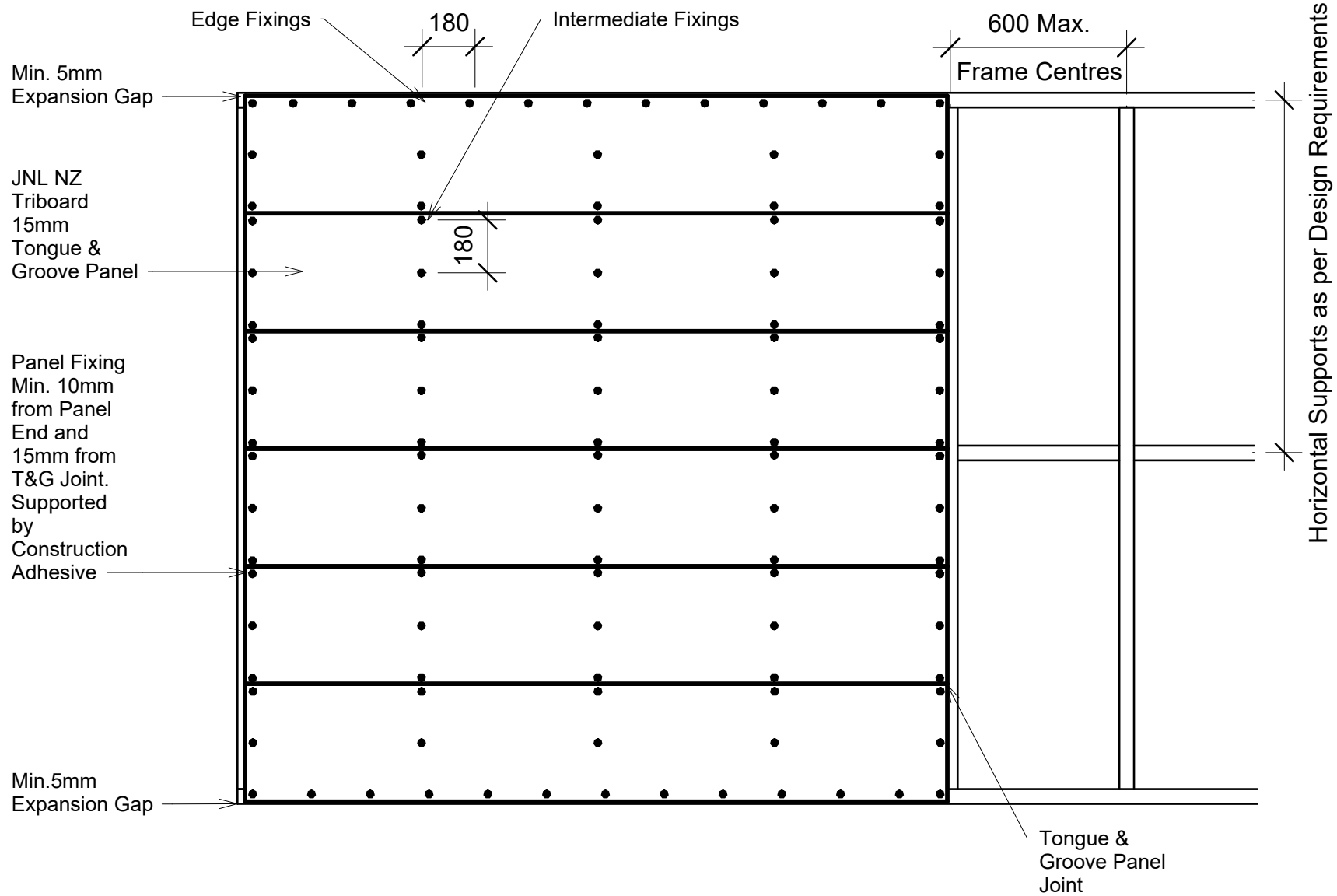
RELEASE DATE:  
01/05/2026

SHEET NUMBER

JNLTL005

REVISION

A



© JNL NZ Ltd.

Phone  
(09) 373 3933  
email  
sales@jnl.co.nz

SHEET TITLE

TRIBOARD™ LINING TONGUE & GROOVE PANEL HORIZONTAL INSTALL

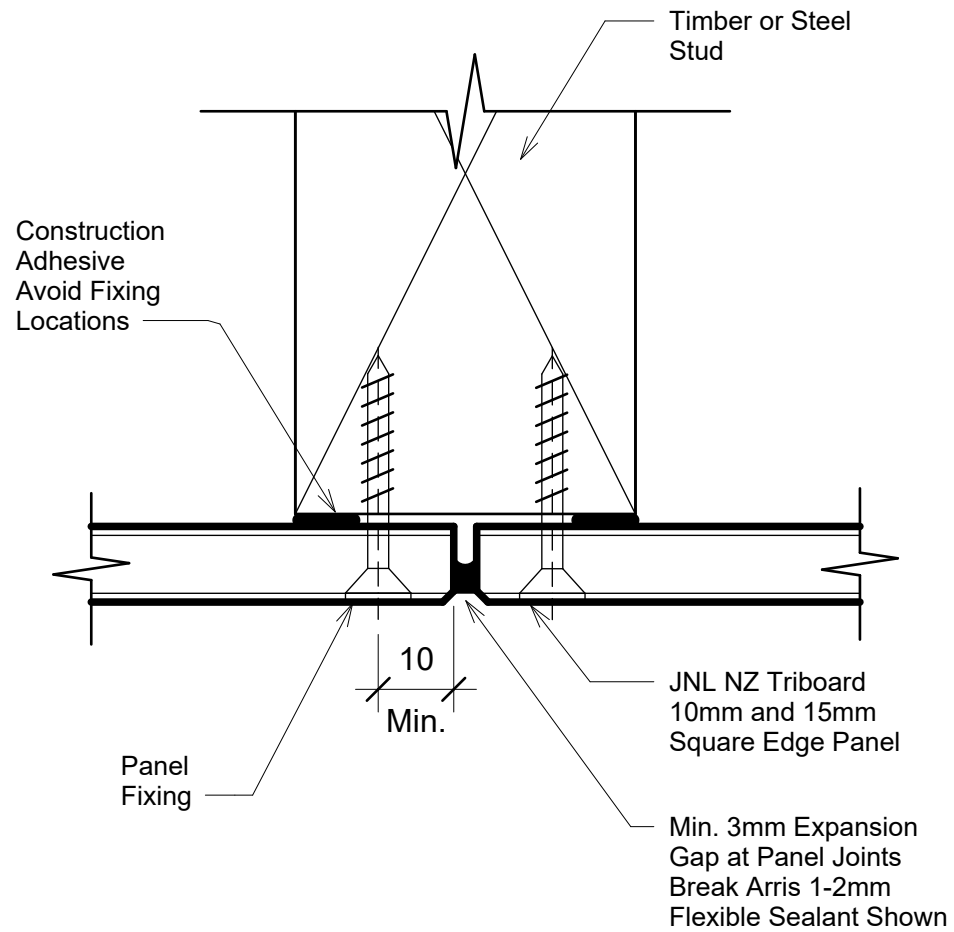
DISCLAIMER:  
This information is drawn as reference only and not to be used as a construction detail. Applications are required to be drawn by the specifier. Before using JNL NZ Ltd. systems, ensure that the selected product is suitable for use in the specific application.

SCALE: 1:20

RELEASE DATE:  
01/05/2026

SHEET NUMBER  
JNLTL006

REVISION  
A



© JNL NZ Ltd.

Phone  
(09) 373 3933  
email  
sales@jnl.co.nz

SHEET TITLE

TRIBOARD™ LINING SQUARE EDGE PANEL STANDARD JOINT

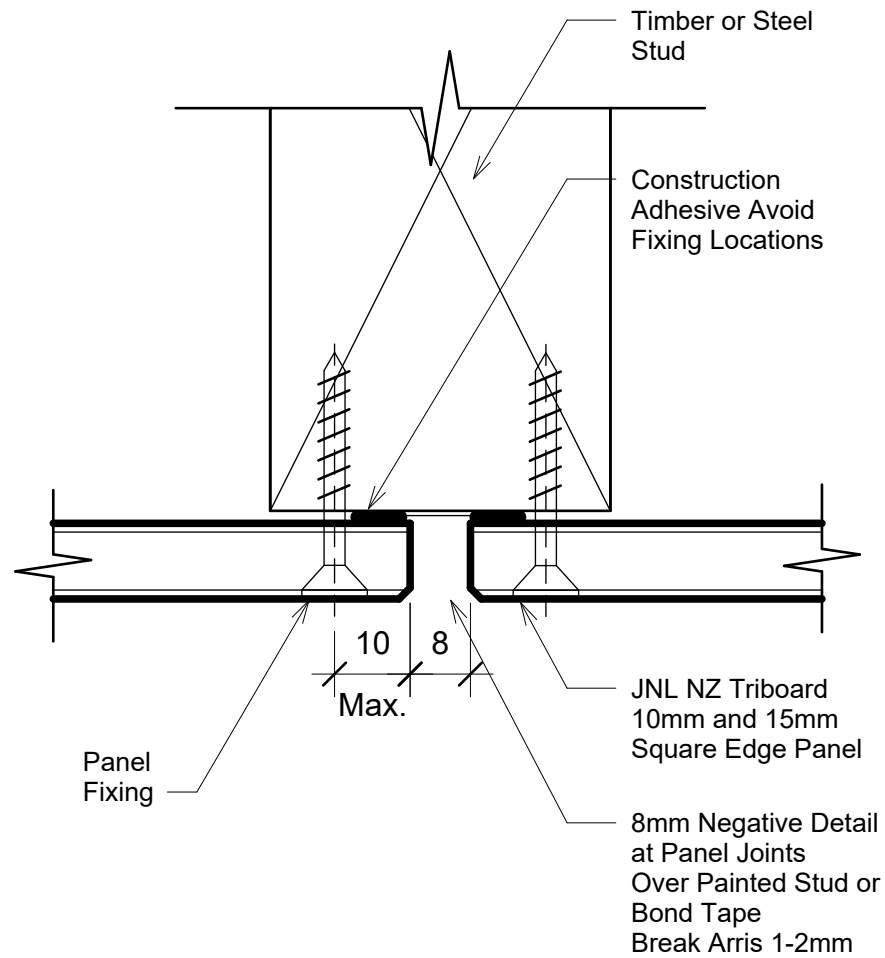
DISCLAIMER:  
This information is drawn as reference only and not to be used as a construction detail. Applications are required to be drawn by the specifier. Before using JNL NZ Ltd. systems, ensure that the selected product is suitable for use in the specific application.

SCALE: 1:1

RELEASE DATE:  
01/05/2026

SHEET NUMBER REVISION

JNLTL007 A



© JNL NZ Ltd.

Phone  
(09) 373 3933  
email  
sales@jnl.co.nz

SHEET TITLE

**TRIBOARD™ LINING SQUARE EDGE PANEL NEGATIVE DETAIL JOINT**

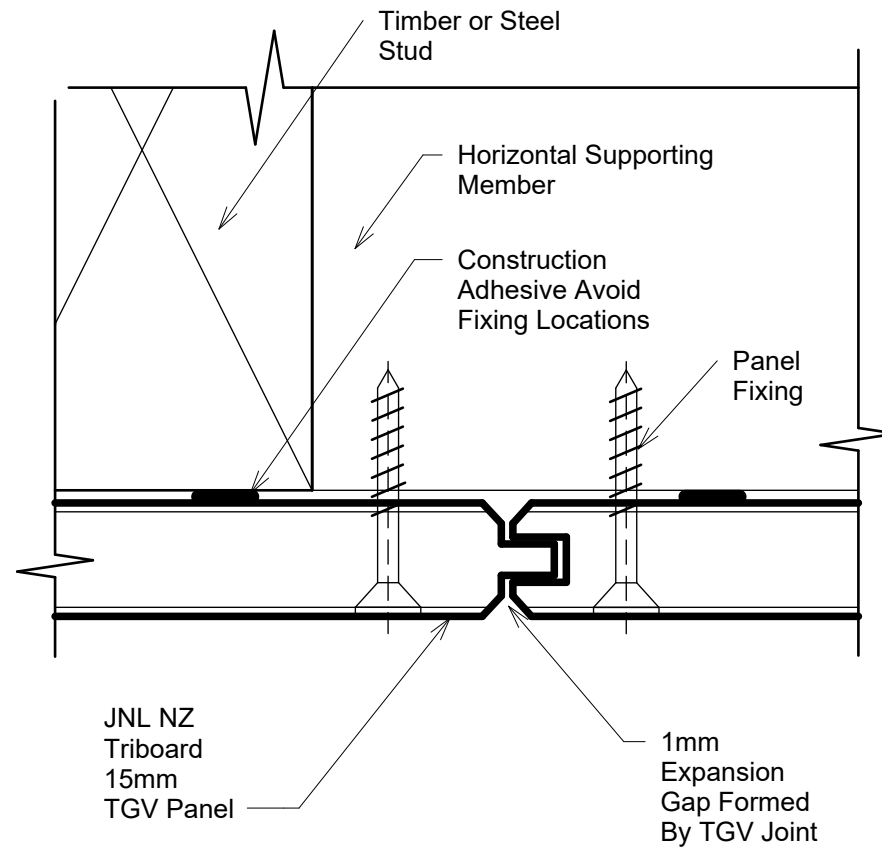
**DISCLAIMER:**  
This information is drawn as reference only and not to be used as a construction detail. Applications are required to be drawn by the specifier. Before using JNL NZ Ltd. systems, ensure that the selected product is suitable for use in the specific application.

SCALE: 1:1

RELEASE DATE:  
01/05/2026

SHEET NUMBER REVISION

JNLTL008 A



© JNL NZ Ltd.

Phone  
(09) 373 3933  
email  
sales@jnl.co.nz

SHEET TITLE

**TRIBOARD™ LINING TONGUE & GROOVE PANEL JOINT**

**DISCLAIMER:**  
This information is drawn as reference only and not to be used as a construction detail. Applications are required to be drawn by the specifier. Before using JNL NZ Ltd. systems, ensure that the selected product is suitable for use in the specific application.

SCALE: 1:1

RELEASE DATE:  
01/05/2026

SHEET NUMBER REVISION

JNLTL009

A